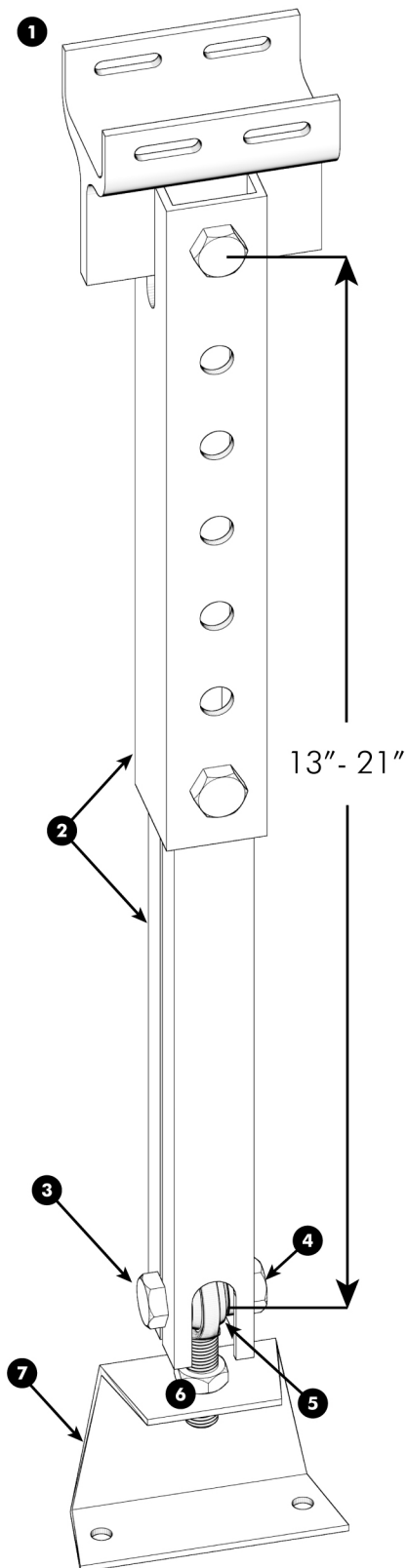
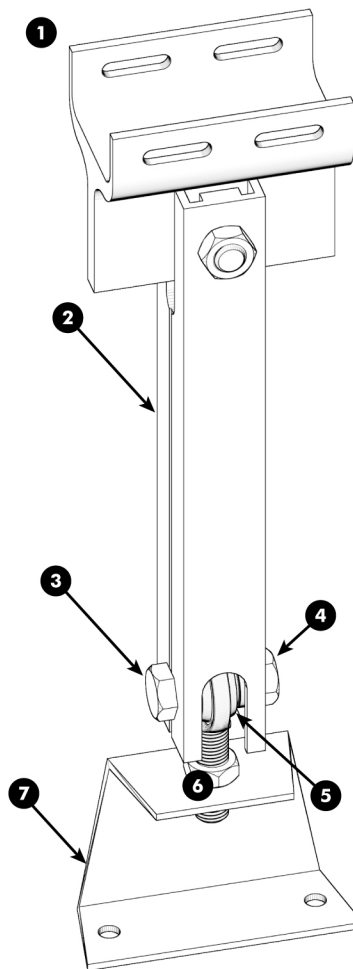


21" Extended Length



SSC Part No. EZB-1321

8" Fixed Length



SSC Part No. EZB-8

- 1** 500 Pound Rating per Set
- 2** High Tensile Aluminum Extrusions
- 3** All Stainless Steel Fasteners
- 4** All Stainless Steel Ny-Lock Nuts
- 5** Adjustable Stainless Steel / Teflon Bearing
- 6** Fine Adjustment for Level Accuracy
- 7** SS Clip 2"

