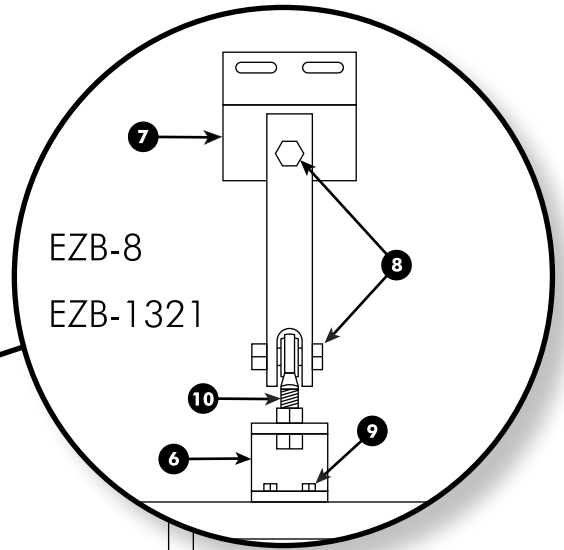
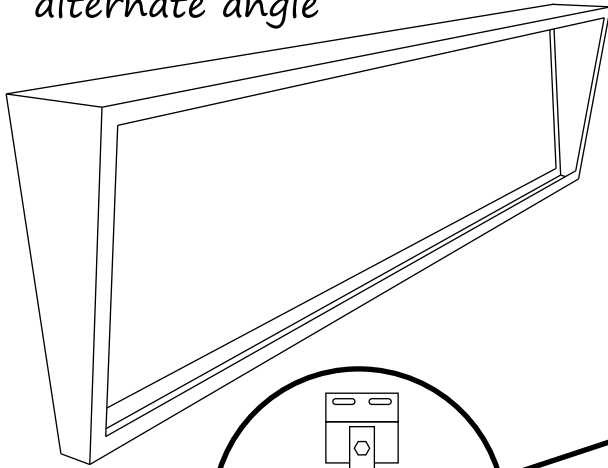
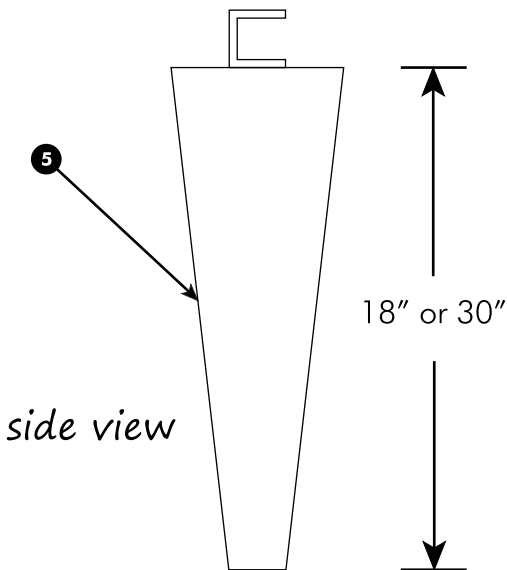
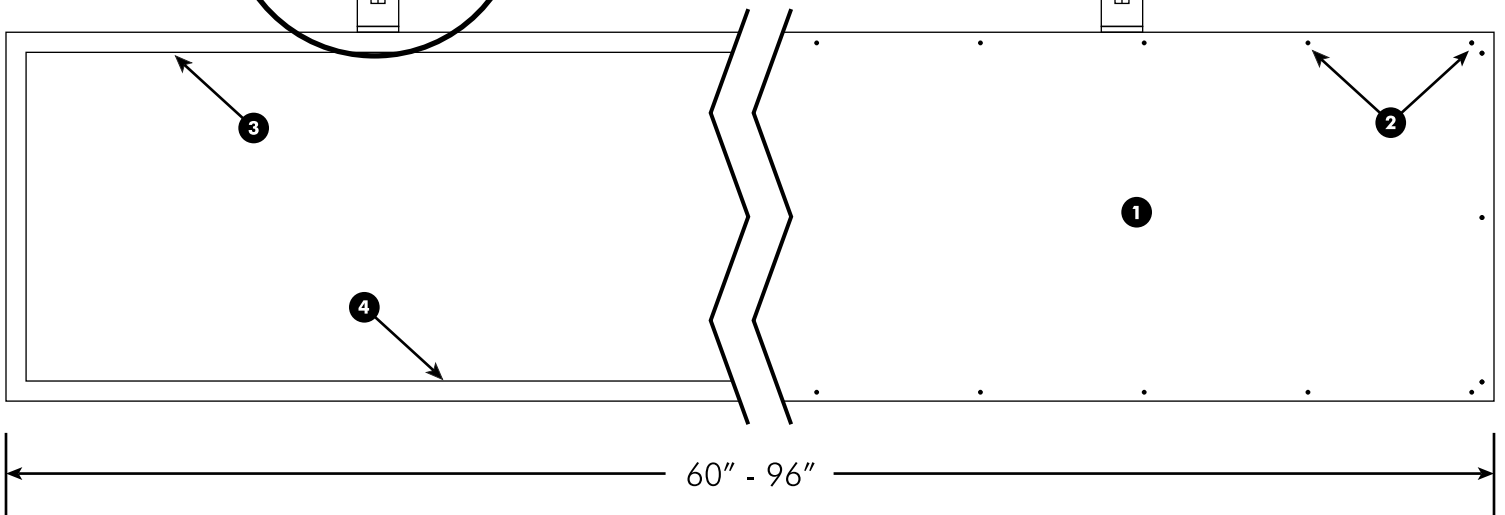


alternate angle



front view



side view

- 1 Sign Panel
- 2 Rivets 8" on Center
- 3 Top Channel 1"x 6" .080
- 4 Bottom Channel 1"x 2" .080
- 5 Formed Aluminum End Cap
- 6 SS Clip 2"
- 7 Aluminum "Y" Bracket
- 8 1/2" SS Bolt
- 9 1/4" SS Bolts
- 10 SS Bearing with Teflon, Adjustable